



BIOHORIZONS®

SCIENCE • INNOVATION • SERVICE

Product Catalog



BIOHORIZONS® Laser-Lok Technology



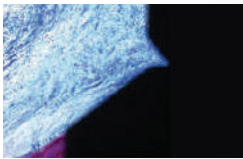
BioHorizons is the only company to offer Laser-Lok microchannels for improved esthetic results by creating connecting tissue attachment and retaining crestal bone.

Through their end cutting and self-tapping thread design, BioHorizons implants allow the dentists to have better control for implant placement especially in challenging cases

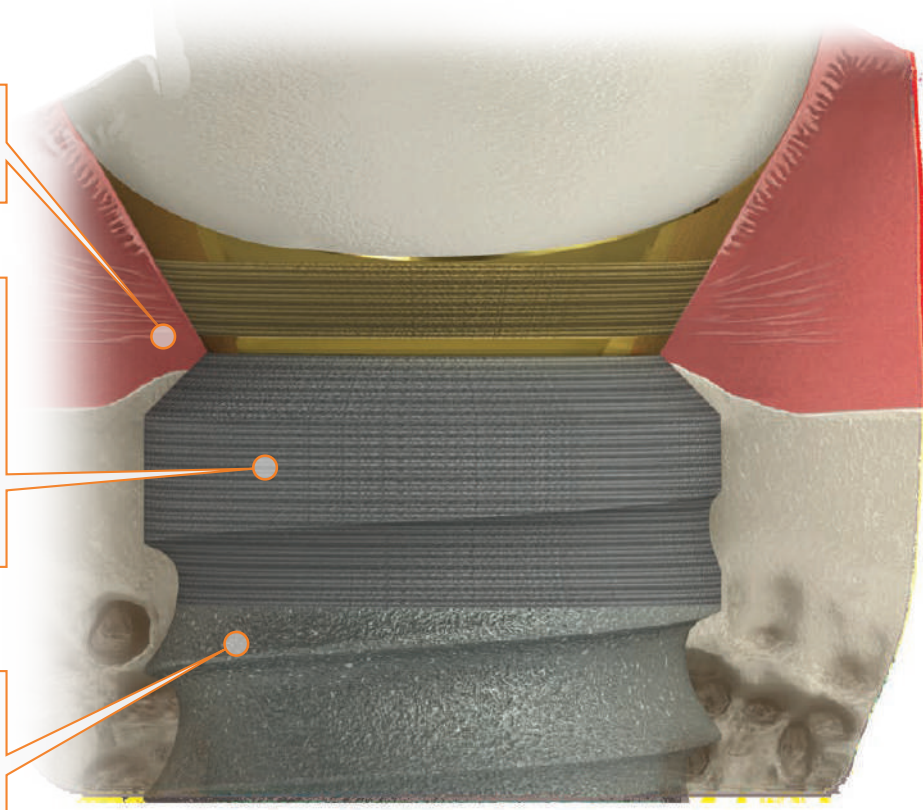
The unique design of the tapered body and aggressive threads yields an unmatched stability. In addition, the reduced collar diameter leads to vital bone.

platform switching
designed to increase soft tissue volume

Laser-Lok® zone
creates a connective tissue seal and retains crestal bone



optimized threadform
buttress thread engineered for superior stability over microthreaded implants



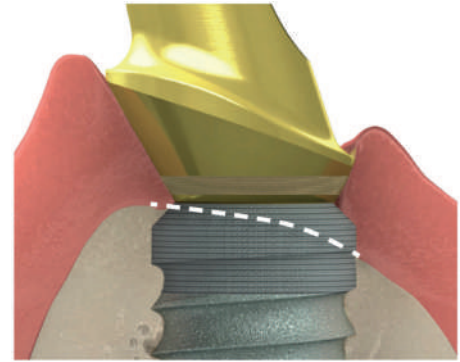
restorative choices
comprehensive line of internally hexed prosthetics for a wide variety of site conditions and restorative protocols



Implant Placement Level & Spacing

Placement in Uneven Edges









When placing the implant in an uneven ridge, prepare the osteotomy and place the implant so the bone/soft-tissue junction is within the Laser-Lok transition zone. This will allow both soft tissue and bone to attach to the Laser-Lok collar. If the ridge discrepancy is more than the Laser-Lok transition zone, leveling the ridge can be considered.



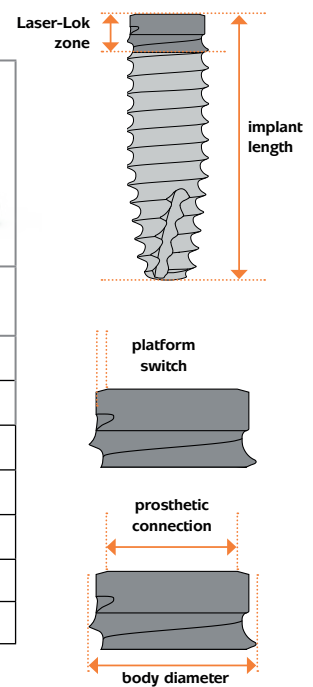
Tapered Pro Implants

Tapered PRO

BioHorizons new tapered Pro implants features aggressive, self tapping buttress threads that provide progressive insertion torque and compressive loading for primary stability. The platform-switched Laser-Lok collar creates a connective tissue attachment and retains crestal bone. Tapered Pro implants use the existing BioHorizons conical internal hex connections maintaining compatibility with existing components and can be placed using existing BioHorizons Tapered surgical kits.



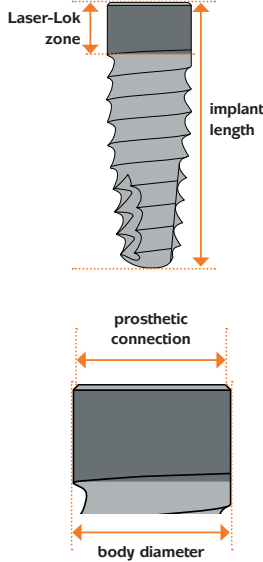


| | | | | |
|-----------------------|---|---|---|---|
| |  |  |  |  |
| body diameter | 3.8mm | 4.2mm | 4.6mm | 5.2mm |
| prosthetic connection |  3.0mm |  3.5mm |  3.5mm |  4.5mm |
| Laser-Lok zone | 1.8mm | 1.8mm | 1.8mm | 1.8mm |
| apical diameter | 2.8mm | 3.0mm | 3.2mm | 3.3mm |
| 9.0mm length | BTA3809 | BTA4209 | BTA4609 | BTA5209 |
| 10.5mm length | BTA3810 | BTA4210 | BTA4610 | BTA5210 |
| 12.0mm length | BTA3812 | BTA4212 | BTA4612 | BTA5212 |
| 15.0mm length | BTA3815 | BTA4215 | BTA4615 | BTA5215 |
| 18.0mm length | BTA3818 | BTA4218 | BTA4618 | - |

Laser-Lok collar with Resorbable Blast Texturing (RBT) on implant body. Mount-free for quick placement and maximum site visibility. Comes packaged with a Cover Cap. Titanium Alloy (Ti-6Al-4V ELI).



Tapered Internal Implants


Tapered Internal dental implants offer excellent primary stability, maximum bone intergration and soft tissue attachment for those the best and long lasting results achieved by its design and features.

| | | | |
|-----------------------|---|---|---|
| |  |  |  |
| body diameter | 3.0mm | 3.4mm | |
| prosthetic connection |  3.0mm |  3.0mm | |
| Laser-Lok zone | 2.1mm | 1.8mm | |
| apical diameter | 2.0mm | 2.4mm | |
| 7.5mm length | — | — | |
| 9.0mm length | — | TLX3409 | |
| 10.5mm length | TLX3010 | TLX3410 | |
| 12.0mm length | TLX3012 | TLX3412 | |
| 15.0mm length | TLX3015 | TLX3415 | |
| 18.0mm length | — | TLX3418 | |

Expanded Laser-Lok zone with no smooth, machined area. Resorbable Blast Texturing (RBT) on implant body. Packaged mount-free for quick placement and maximum site visibility. Comes packaged with a Cover Cap. Titanium Alloy (Ti-6Al-4V ELI).

Tapered Plus Laser-Lok & Non-Laser-Lok





The tapered Plus Implant system offers all the great benefits of BioHorizon highly successful Tapered Internal system with the added feature of platform switching that increase the soft tissue volume around the implant prosthesis.

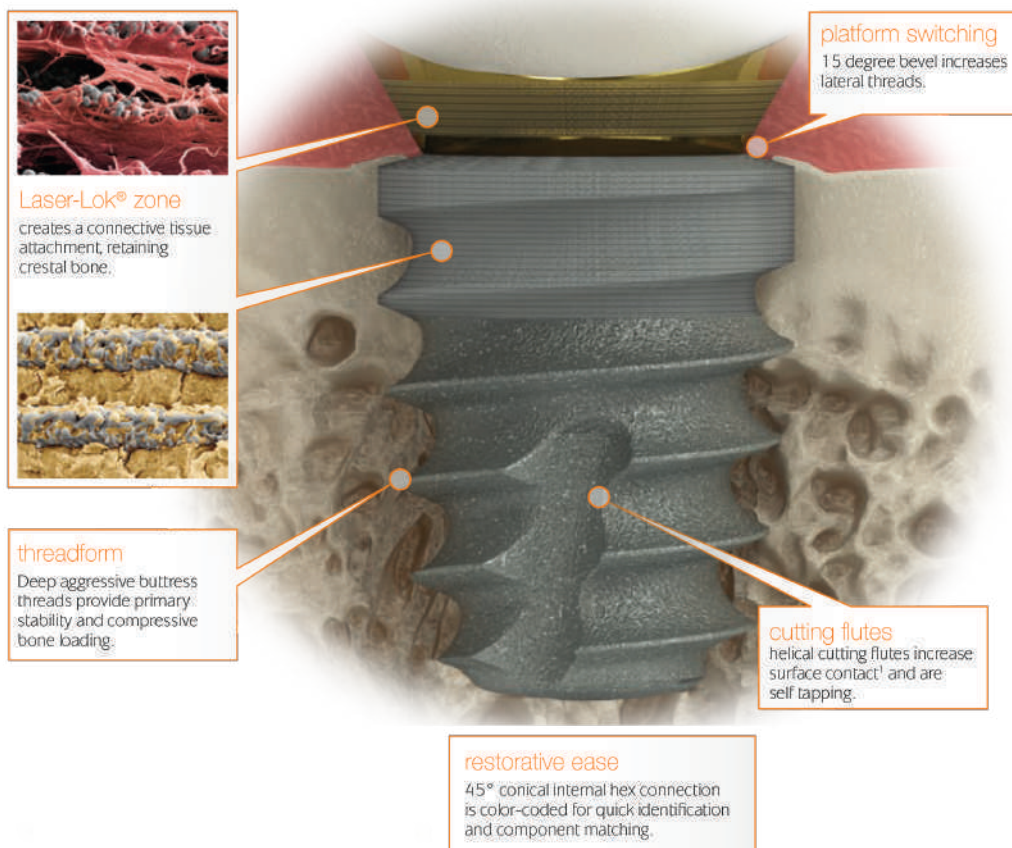
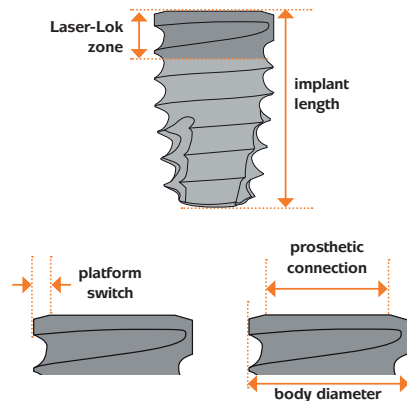
| | | | | |
|-----------------------|---|---|---|---|
| |  |  |  |  |
| body diameter | 3.8mm | 4.6mm | 5.8mm | |
| prosthetic connection |  3.0mm |  3.5mm |  4.5mm | |
| Laser-Lok zone | 1.8mm | 1.8mm | 1.8mm | |
| apical diameter | 2.8mm | 3.1mm | 3.9mm | |
| platform switch | 0.4mm | 0.5mm | 0.6mm | |
| 7.5mm length | — | TLXP4607 | TLXP5807 | |
| 9.0mm length | TLXP3809 | TLXP4609 | TLXP5809 | |
| 10.5mm length | TLXP3810 | TLXP4610 | TLXP5810 | |
| 12.0mm length | TLXP3812 | TLXP4612 | TLXP5812 | |
| 15.0mm length | TLXP3815 | TLXP4615 | TLXP5815 | |

Laser-Lok collar with Resorbable Blast Texturing (RBT) on implant body. Mount-free for quick placement and maximum site visibility. Comes packaged with a Cover Cap. Titanium Alloy (Ti-6Al-4V ELI).

Tapered Short Implants

Tapered Short implants offer a solution for cases with limited vertical bone height and minimizing the need for bone grafting. The implant design features an aggressive thread profile and tapered body for primary stability, even in compromised situations. A platform-switched, dual affinity, Laser-Lok surface offers crestal bone retention and connective tissue attachment for flexible placement in uneven ridges.

| | | |
|-----------------------|---|---|
| |  |  |
| body diameter | 4.6mm | 5.8mm |
| prosthetic connection |  3.5mm |  4.5mm |
| Laser-Lok zone | 1.8mm | 1.8mm |
| apical diameter | 3.7mm | 4.9mm |
| platform switch | 0.5mm | 0.6mm |
| 6.0mm length | TSL4606 | TSL5806 |
| 7.5mm length | TSL4607 | TSL5807 |



why choose BioHorizons prosthetics?

Using authentic BioHorizons parts will ensure a precision fit connection between the prosthetic component and implant, avoiding costly component failures that may occur from using third party prosthetics. Authentic BioHorizons parts are color-coded for easy identification to match the mating implant.

authenticconnection

advantages:

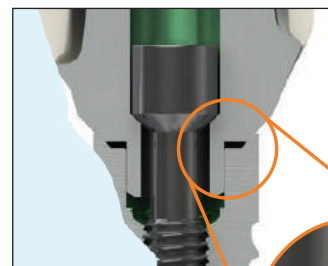
- lifetime warranty on all implants & prosthetics
- Spirallock® technology minimizes screw loosening
- precise mating geometries reduce prosthetic failures
- advanced design creates a better engineered connection
- color-coded prosthetic components match implant platforms



Look for this symbol from labs who use authentic BioHorizons parts.

engineering better prosthetics

BioHorizons prosthetics are engineered and manufactured to seat precisely every time. The conical connection includes a small space between the components to guarantee contact of the abutment and implant around the entire perimeter of the prosthetic platform. This design creates a biologic seal and achieves optimal stress transmission, that protects the abutment screw from fracture and loosening



Conical connection creates a biologic seal around the perimeter of the implant's prosthetic platform



BIOHORIZONS' ABUTMENTS

Contour Abutments

Contour Abutments are designed to develop a natural emergence profile.

Dual Purpose Contour Abutments

Use to fabricate cement-retained, single- or multiple-unit prosthesis. Also used with Ball-top screw as a closed-tray impression coping.



| | |
|----------------|----------------|
| TP3DPCA | 3.0mm Abutment |
| PYDPCA | 3.5mm Abutment |
| PGDPCA | 4.5mm Abutment |
| PBDPCA | 5.7mm Abutment |

Custom Castable Abutments

Hexed abutments are used for single-unit screw-retained restorations. Non-hexed abutments are used for multiple-unit screw-retained restorations. Color-coded to match implant platform.



| | |
|---------------|-------------------------------|
| PYPCAH | 3.5mm Plastic Abutment, Hexed |
| PGCAH | 4.5mm Plastic Abutment, Hexed |



| | |
|---------------|-----------------------------------|
| PYPCAN | 3.5mm Plastic Abutment, Non-hexed |
| PGPCAN | 4.5mm Plastic Abutment, Non-hexed |

Titanium Base Abutments



| | |
|--------------|----------------|
| TP3TB | 3.0mm Abutment |
| PYTB | 3.5mm Abutment |
| PGTB | 4.5mm Abutment |
| PBTB | 5.7mm Abutment |

15° Angled Contour Abutments

Use to fabricate cement-retained, single-or multiple-unit prosthesis when 15° angulation is needed.



TP3ACA
PYACA

3.0mm Abutment
3.5mm Abutment

Hybrid Base Abutments



TP3HYB
PYHYB
PGHYB

3.0mm platform, hexed
3.5mm platform, hexed
4.5mm platform, hexed



TP3HYBN
PYHYBN
PGHYBN

3.0mm platform, non-hexed
3.5mm platform, non-hexed
4.5mm platform, non-hexed



TP3HYB2
PYHYB2
PGHYB2

3.0mm platform, 2mm collar height
3.5mm platform, 2mm collar height
4.5mm platform, 2mm collar height

TEMPORARY ABUTMENTS

Titanium Temporary Abutments



TP3TTH
PYTTH
PGTTH

3.0mm platform, hexed
Internal 3.5mm platform, hexed
Internal 4.5mm platform, hexed

TP3TTN
PYTTN
PGTTN

3.0mm platform, non-hexed
Internal 3.5mm platform, non-hexed
Internal 4.5mm platform, non-hexed

PEEK Temporary Abutments (Regular Emergence)



TP3TA
PYRTA

3.0mm platform
3.5mm platform

Angled PEEK Temporary Abutments (Regular Emergence)



TP3RATA
PYRATA

3.0mm platform
3.5mm platform

PEEK Temporary Cylinder Abutments



TP3PTC
PYPTC
PGPTC

3.0mm platform, hexed
3.5mm platform, hexed
4.5mm platform, hexed



TP3PTCN
PYPTCN
PGPTCN

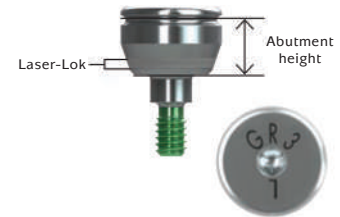
3.0mm platform, non-hexed
3.5mm platform, non-hexed
4.5mm platform, non-hexed

HEALING ABUTMENTS

Laser-Lok Healing Abutments

| | | abutment diameter | 3mm height | 5mm height |
|---------|---------------------------|-------------------|------------|------------|
| Regular | 4.5mm platform, Laser-Lok | 5.5mm | - | PYNHA5L |
| | 3.0mm platform, Laser-Lok | 4.0mm | - | PGNHA5L |
| Wide | 3.5mm platform, Laser-Lok | 6.0mm | PYWHA3L | PBNHA5L |
| | 7.0mm platform, Laser-Lok | 7.0mm | PGWHA3L | PBNHA5L |

Use Laser-Lok healing abutments when a Laser-Lok abutment restoration is planned to inhibit epithelial downgrowth, establish a soft tissue seal and protect the bone. When a Laser-Lok component is used and temporarily removed for impression making or other restorative procedures, keep the removed Laser-Lok component in sterile saline until reinserting into the site.



Standard Healing abutments

| | | abutment diameter | 3mm height | 5mm height |
|---------|-----------------------------|-------------------|------------|------------|
| Narrow | 3.0mm platform | 3.0mm | TP3NHA3 | TP3NHA5 |
| | 5.7mm platform | 6.0mm | PBNHA3 | PBNHA5 |
| Regular | 3.0mm platform | 3.5mm | TP3HA3 | TP3HA5 |
| | 3.5mm platform | 4.5mm | PYRHA3 | PYRHA5 |
| | 4.5mm platform | 5.5mm | PGRHA3 | PGRHA5 |
| | 5.7mm platform | 6.5mm | PBRHA3 | PBRHA5 |
| Wide | 3.0mm platform | 4.0mm | TP3WHA3 | TP3WHA5 |
| | 3.0mm platform (extra wide) | 5.0mm | TP3EWHA3 * | TP3EWHA5 * |
| | 3.5mm platform | 6.0mm | PYWHA3 | PYWHA5 |
| | 4.5mm platform | 7.0mm | PGWHA3 | PGWHA5 |
| | 5.7mm platform | 8.0mm | PBWHA3 * | PBWHA5 * |

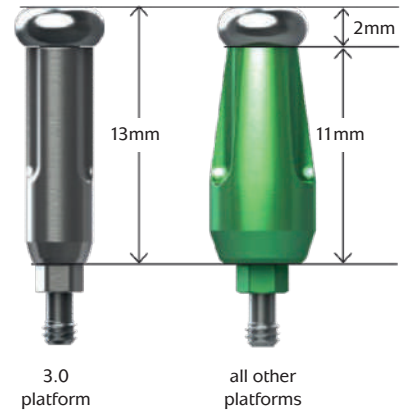


IMPRESSION COMPONENTS

Indirect Scoop Copings (Closed Tray)

Use to make a closed-tray, implant-level, hexed-timed impression. Pre-assembled with a coping screw (PXSS). Titanium Alloy.

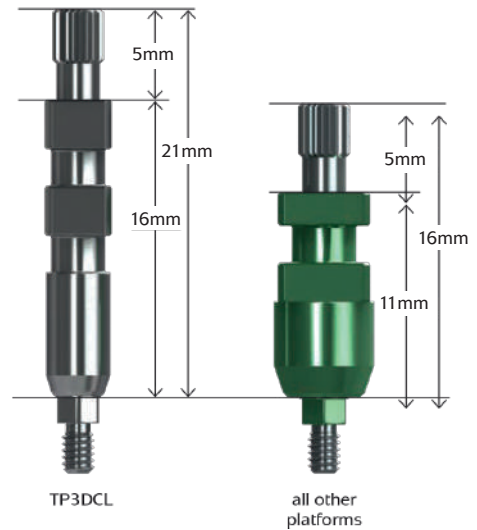
| | |
|----------------|------------------------------------|
| TP3ISC | 3.0mm platform (Regular Emergence) |
| TP3WISC | 3.0mm platform (Wide Emergence) |
| PYRISC | 3.5mm platform (Regular Emergence) |
| PGRISC | 4.5mm platform (Regular Emergence) |
| PBNISC | 5.7mm platform (Narrow Emergence) |



Direct Pick-up Copings (Open Tray)

Use to make an open-tray, implant-level impression. Packaged with the direct coping screw, shallow hex (PXDCSS). Non-hexed versions may also be used to fabricate multiple-unit bars. Titanium Alloy. Hand-tighten.

| | |
|---------------|---|
| TP3DC | 3.0mm platform, hexed (Regular Emergence) |
| TP3DCN | 3.0mm platform, non-hexed (Regular Emergence) |
| TP3DCL | 3.0mm platform, hexed, long (Regular Emergence) |
| PYNDCN | 3.5mm platform, non-hexed (Narrow Emergence) |
| PYRDC | 3.5mm platform, hexed (Regular Emergence) |
| PGRDC | 4.5mm platform, hexed (Wide Emergence) |



Snap Copings

Use to make a closed-tray, direct pick-up, implant-level impression. PEEK (PolyEtherEtherKetone) and Titanium Alloy material.

| | |
|--------|------------------------------------|
| TP3RSC | 3.0mm platform (Regular Emergence) |
| TP3WSC | 3.0mm platform (Wide Emergence) |
| PYNSC | 3.5mm platform (Narrow Emergence) |
| PYRSC | 3.5mm platform (Regular Emergence) |
| PGRSC | 4.5mm platform (Regular Emergence) |
| PGWSC | 4.5mm platform (Wide Emergence) |
| PBNSC | 5.7mm platform (Narrow Emergence) |



Snap Scan Body

| | |
|-----------|----------------------|
| TP3SSB8* | 3.0mm platform, 8mm |
| PYSSB8* | 3.5mm platform, 8mm |
| PGSSB8* | 4.5mm platform, 8mm |
| TP3SSB11* | 3.0mm platform, 11mm |
| PYSSB11* | 3.5mm platform, 11mm |
| PGSSB11* | 4.5mm platform, 11mm |



Implant Analogs



| | |
|-------|----------------|
| TP3IA | 3.0mm platform |
| PYIA | 3.5mm platform |
| PGIA | 4.5mm platform |
| PBIA | 5.7mm platform |

PRECISION ANGLED SCREW SYSTEM

Precision angled Screw System

BioHorizons Precision Angled Driver & Screw provide a solution for challenging screw-retained restorations, from esthetic demanding cases to hard to reach sites. Restorations can now be designed with angled screw channels that increase accessibility, allow for optimized esthetics and provide ease of placement.



PXPAS Precision Angled Screw



PADM14 Precision Angled Driver, Manual, Long



PADS14 Precision Angled Driver, 4mm Square, Long



PADS19 Precision Angled Driver, 4mm Square, Extra Long



MULTI-UNIT ABUTMENTS

Straight Multi-unit Abutments

Straight Multi-unit abutments may be used for multiple-unit restorations including: screw-retained restorations at the abutment level, cast alloy bars for overdentures and fixed/ detachable (hybrid) restorations. Comes with a cover cap (PXMUCC). Final torque: 30 Ncm using a Multi-unit Hex Adapter. Titanium alloy.

- TP3MU1** 3.0mm platform, 1mm collar
- TP3MU3** 3.0mm platform, 3mm collar

- PYMU1** 3.5mm platform, 1mm collar
- PYMU3** 3.5mm platform, 3mm collar
- PYMU5** 3.5mm platform, 5mm collar

- PGMU1** 4.5mm platform, 1mm collar
- PGMU3** 4.5mm platform, 3mm collar
- PGMU5** 4.5mm platform, 5mm collar



17° Angled Multi-unit Abutments

- TP3MU173** 3.0mm platform, 3mm collar

- PYMU173** 3.5mm platform, 3mm collar
- PYMU174** 3.5mm platform, 4mm collar

- PGMU173** 4.5mm platform, 3mm collar

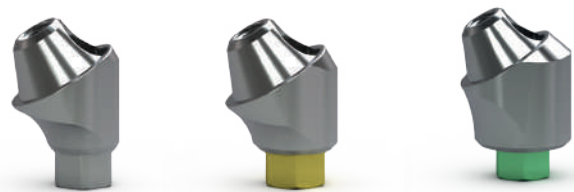


30° Angled Multi-unit Abutments

- TP3MU303** 3.0mm platform, 3mm collar
- TP3MU304** 3.0mm platform, 4mm collar

- PYMU304** 3.5mm platform, 4mm collar

- PGMU303** 4.5mm platform, 3mm collar
- PGMU305** 4.5mm platform, 5mm collar



Multi-unit Analog

PXMUAR Abutment Replica, Multi-unit

Use at lab to represent the Multi-unit/Implant assembly in the working cast. Not to use with implant-level impressions. Titanium Alloy



Multi-unit Angled Abutment Screw & Abutment Carrier

Use to deliver angled Multi-unit abutments to the surgical site. Titanium Alloy.

MUCA Angled Multi-unit Abutment Carrier



Multi-unit Hex Adapters for Straight Abutments

PXMUHAM Manual Multi-unit Hex Adapter

Use to hand tighten straight Multi-unit abutments.

PXMUHAH Handpiece Multi-unit Hex Adapter

Use to torque straight Multi-unit abutments. Driven by latch-type handpiece. Do not exceed 30 Ncm.

PXMUHAR 4mm Square Multi-unit Hex Adapter

Use to torque straight Multi-unit abutments. Driven by 4mm square drive hand wrench, ratchet, or torque wrench. Do not exceed 30 Ncm.



Manual

Handpiece

4mm Square

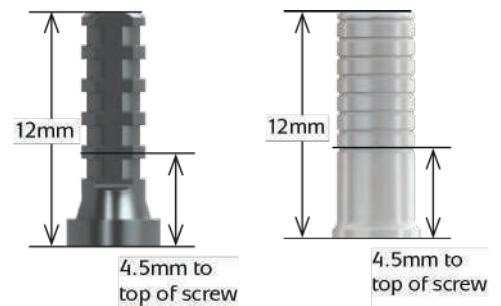
Multi-unit Copings

PXMUTC Titanium

Use for fabricating acrylic temporary and final prosthesis. May be trimmed for height. Packaged with prosthetic screw (PXMUPSR). Titanium Alloy.

PXMUPC Plastic Custom Castable

Use for fabricating metal-reinforced acrylic prosthesis or bar overdentures. May be trimmed for height. Packaged with prosthetic screw (PXMUPSR). Acetal resin (Derlin® or Promulax®).



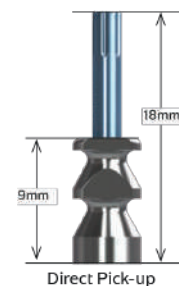
4.5mm to top of screw

4.5mm to top of screw

Multi-unit Impression Copings

PXMUDC Direct Pick-Up Coping, Multi-unit

Use to make a direct pick-up impression (open-tray) at the abutment level. Packaged with a prosthetic screw, long (PXMUPSL). Titanium alloy. Hand tighten.



Direct Pick-up

BIOHORIZONS SURGICAL KITS

Tapered Internal HD Surgery Kit

Includes the instrumentation required to place: Tapered Plus, Tapered 3.0, Tapered Tissue Level, Laser-Lok 3.0 & Tapered Internal including the 3.4mm diameter and 18mm lengths.

- includes Tapered HD instruments
- versatile, removable, hinged lid
- 40% smaller and 40% lighter than other kits
- easy to disassemble and assemble during cleaning
- implant staging area for implant vials during surgery
- use to place Tapered Plus, Tapered Internal, Tapered Tissue Level, Tapered 3.0 and Laser-Lok 3.0
- empty spare slots for other instrumentation such as stop drills or extended shank drills



Item #: TSK4000

Guided Surgery Kit

The BioHorizons guided surgery kit offers the precision and predictability of guided implant placement with a streamlined, single kit design. All components are color-coded to avoid the complexity seen with other systems while offering our customers predictable implant placement for optimal esthetic outcomes.

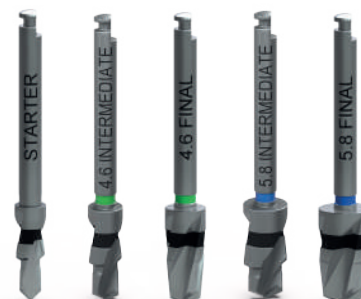
Item #: CGS4000



Tapered Short HD Drill

Tapered Short implants can be placed using minimal instrumentation due to a new stepped drill design which streamlines the surgical protocol. Tapered Short drills consist of a universal starter drill with intermediate and final drills that are diameter specific. The stepped starter and intermediate drills provide rapid osteotomy preparation and enhanced control during surgery. The optional final drill can be used depending on bone density and desired implant stability.

| | |
|----------------|---|
| TDS32HD | Tapered Short HD Starter Drill, 2.2/3.2mm |
| TDS37HD | Tapered Short HD 4.6 Intermediate Drill, 2.8/3.65mm |
| TDS41HD | Tapered Short HD 4.6 Final Drill, 4.15mm |
| TDS47HD | Tapered Short HD 5.8 Intermediate Drill, 3.6/4.65mm |
| TDS54HD | Tapered Short HD 5.8 Final Drill, 5.4mm |



KITS & INSTRUMENTS

Prosthetic Instrumentation Kit

Includes:

- .050 (1.25mm) Manual Hex Driver
- .050 (1.25mm) Manual Hex Driver, Long
- .050 (1.25mm) Handpiece Hex Driver
- .050 (1.25mm) Handpiece Hex Driver, Long
- .050 (1.25mm) 4mm Square Hex Driver
- .050 (1.25mm) 4mm Square Hex Driver, Long
- Hand Wrench
- 4mm Square Drive Extender
- 4mm Square Multi-unit Hex Adapter
- 12 Try-in Abutment Slots
- 8 Optional Instrument Slots
- Space for Torque Wrenches & AS123 Hand Unit

Item #: PROS3000



Bone Fixation Screw Kit

Indicated for use in the fixation of cortical onlay grafts and meshes used in Guided Bone Regeneration. Also indicated for tenting of membranes used in Guided Bone Regeneration.

Kit includes:

- 24 Screws
 - (6) 1.4 x 8mm Micro Screws
 - (6) 1.4 x 10mm Micro Screws
 - (6) 2.0 x 10mm Mini Screws
 - (6) 2.0 x 12mm Mini Screws
- Flexible Micro Mesh
- Comprehensive Instrument Set
- Screwdriver Body
- Autoclavable Screw Block with Lid

Item #: 160-900



Micro Screw 1.4mm x 8mm (pack of 6)

Indicated for use in fixation of cortical onlay grafts and meshes used in Guided Bone Regeneration. Also indicated for tenting of membranes used in Guided Bone Regeneration.

Item #: BSV-14X8



AutoTac System Kit

The AutoTac System Kit is used to secure membranes with the push of a button.

AutoTac System Starter Kit includes:

- Delivery Handle
- Autoclavable Titanium Tack Cassette (pre-loaded with 21 Titanium Tacks)
- Forceps
- Sterilization Tray with cover

Item #: 400-270

AutoTac Titanium Tack Vial. pkg of 5

Refill vial of 5 Titanium Tacks for AutoTac Cassette

Item #: 400-240



Torque Wrenches

30N-cm Torque Wrench

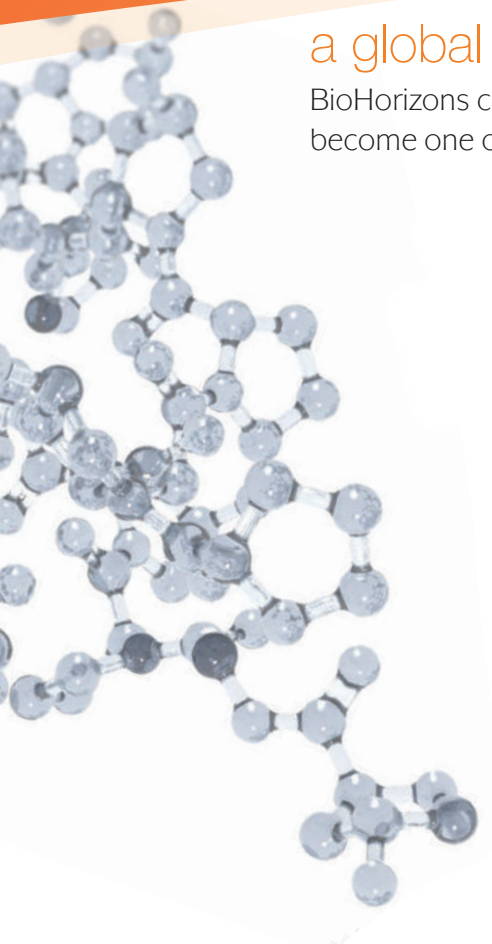
Break-style design used to deliver 30 Ncm of torque to prosthetic components.

Item #: 300-430



a global leader for biologic-based solutions

BioHorizons commitment to science, innovation and service has helped us become one of the fastest-growing companies in the dental industry.



highest quality standards

BioHorizons partners with national tissue banks who take extraordinary measures to ensure the recovery and processing of all tissue meets or exceeds the guidelines set forth by the AATB and FDA.



clinically proven

BioHorizons is committed to developing evidence-based and scientifically proven products. With over 300 publications, our comprehensive biologics product portfolio has proven results for a wide range of soft and hard tissue applications.



novel solutions

BioHorizons has a history of identifying and developing game-changing products to enhance practices' clinical outcomes. This commitment started in 2000 when BioHorizons introduced AlloDerm™, the first soft tissue augmentation product in the dental industry.



partner for success

BioHorizons understands the importance of providing excellent service. Our global network of professional representatives and our highly trained customer care support team are well-equipped to meet the

Allograft

MinerOss Cortical & Cancellous Chips

MinerOss Blend is a mixture of allograft mineralized cortical and cancellous chips. The cancellous and cortical blend forms an osteoconductive scaffold providing volume enhancement and effective site development for successful dental implant placement.

Particle size: 500 -1000 microns
Available in : 0.5cc, 1.0cc & 2.5cc

- Item #:** MIN-C0.5INT
- Item #:** MIN-C1.0INT
- Item #:** MIN-C2.5INT



Xenograft

MinerOss X Syringe

MinerOss X Syringe is cancellous particulate pre-loaded into a delivery syringe to assist with optimal placement at the defect site.

Particle size: 250 -1000 microns

Available in : 0.25cc & 0.5cc

Item #: MIX-SYR0.25

Item #: MIX-SYR0.5



Collagen Membrane

Mem-Lok Resorbable Collagen Membrane

Mem-Lok Resorbable Collagen Membrane is a highly purified type I collagen to provide an increased resorption period and ensure optimal bone regeneration. Predictable resorption rate of 26-38 weeks. Cell occlusive membrane prevents soft tissue ingrowth. Macromolecular pore size allows vital nutrient transfer.

Available sizes:

15mmx20mm | RCM-ML1520

20mmx30mm | RCM-ML2030



AlloDerm Select

MinerOss Cortical & Cancellous Chips

Since its introduction to dentistry in 1999, AlloDerm SELECT RTM Regenerative Tissue Matrix (RTM) has been a widely accepted acellular dermal matrix (ADM) for soft tissue applications. As demonstrated in preclinical studies, AlloDerm SELECT™ supports tissue regeneration by allowing rapid revascularization and cell repopulation* 1,2—ultimately transitioning into host tissue for a strong repair. (Thickness ranges from 1.6–0.9mm.)

Application Includes:

- Root coverage
- Gingival augmentation
- Soft tissue ridge augmentation
- Soft tissue augmentation around implants

Available sizes :

AlloDerm SELECT™ 1cm x 1cm | RTU-0101

AlloDerm SELECT™ 1cm x 2cm | RTU-0102

AlloDerm SELECT™ 1cm x 4cm | RTU-0104

AlloDerm SELECT™ 2cm x 4cm | RTU-0204





PROLINK

Link
with us



Tel: +971 2 5555 227
Mob: +971 56 688 9738



Store 28, Plot 83, M14,
Mussafah Industrial Area,
Abu Dhabi, UAE



info@prolink.ae



@prolinkuae

“YOUR **LINK**
TO YOUR
PRODUCT
NEEDS”

www.prolink.ae